

2A06 - 115/220 VAC Power Supply



The 2A06 Power Supply Module supplies operating power to the EOTec 2000 Modem.

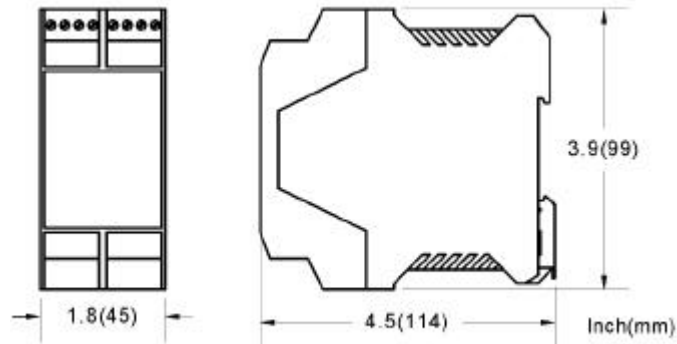
The basic modem configuration consists of a Power Supply Module, Electrical Interface Module, and an Optical Interface Module. However, additional Power Supply modules may be added to address Redundant Power Supply applications. A maximum combination of five optical or electrical modules may be powered from one supply, inter-module communications and operating power is achieved through the integrated module backplane connections.

SPECIFICATIONS

Mechanical:

Mounting: 35mm DIN Rail

Weight: < 9oz (250g)



Input Power Range: 85 to240 Vac, 50/60Hz, 250mA
85 to140 Vdc, 250mA

Operating Power Output: Regulated, 9Vdc, 1.1A Max

Input Connection: Pluggable Screw Terminal Block
12 to 24 AWG Cage-Clamp

Input Fuse Type: 400 mA slow-blow

Power On Indicator: Green LED

Ambient Conditions: -40°C to 85°C Operational Temperature
0 to 90% Relative Humidity Non-Condensing

